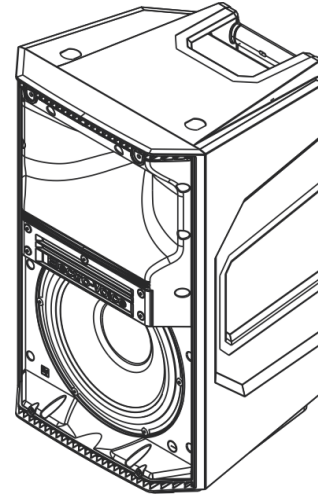


## ELX200-10 10" 2-Way passive speaker



Electro-Voice

- 1200 W (Peak), 127 dB peak SPL system that is reliability verified with over 500 hours of abuse testing and endurance testing to 4x typical industry practices.
- 1.4 inch DH-1C (1 inch exit) titanium compression driver for extended transparent high-frequency response.
- High-output EVS-10M woofer designed to exacting specifications for superior durability and exceptional low-frequency reproduction.
- EV-patented Signal Synchronized Transducers (SST) waveguide design provides precise and consistent coverage, minimal distortion, and maximized acoustical loading.
- Professional-grade hardware: three M10 threaded mounting points for forged eyebolts, integrated pole-mounts and the proven ZLX two-handle design for easy lifting.



The ELX series is designed to deliver an unprecedented combination of sound quality, portability and durability at its price point. All-new custom components—tested to levels far exceeding the industry norm—make ELX200 a robust workhorse capable of handling real-world abuse and professional applications beyond the capability of competitors’ products in its category. Every aspect of ELX200 is designed for ideal results as part of the whole - the acoustical, electrical and mechanical components all work together seamlessly. The full-range models feature a low profile form factor designed with a high-spec composite enclosure to balance weight, manageability, as well as structural integrity. The proprietary features that have made the other members of the EV portable speaker family a go-to for best-in-class performance are also present: Signal Synchronized Transducers (SST) waveguide concept. EV’s industry-leading quality and testing procedures yield efficient transducer design and *meaningful* specs, resulting in components that deliver accurate, linear response at the system’s highest output levels. Translation: loud *and* clear all the way up to the limit. Unified in one of the strongest full-range composite enclosures ever built by EV. The ELX200 is established

as the new benchmark for toughness - both acoustically and physically; maximum efficiency with maximum toughness.

### Technical specifications

Frequency response (-3 dB) <sup>1</sup> :	65 Hz - 20 kHz
Frequency range (-10 dB) <sup>1</sup> :	49 Hz - 22 kHz
Axial sensitivity <sup>1</sup> :	90 dB
Maximum SPL <sup>1,2</sup> :	127 dB
Rec. high-pass frequency:	55 Hz
Coverage (H x V):	90° x 60°
Power handling:	300 W Continuous, 1200 W Peak
LF transducer:	EVS-10M 254 mm (10 in)
HF transducer:	DH-1L 1-inch titanium compression driver
Crossover frequency:	2 kHz
Nominal impedance:	8 Ω
Minimum impedance:	7.2 Ω
Connectors:	Dual NL4

Enclosure: Polypropylene
Grille: 18 AWG steel with powdercoat
Suspension: (3) M10 suspension points
Color: Black or white
Dimensions (H x W x D): 531 mm x 330 mm x 319 mm (21.0 in x 13.0 in x 12.6 in)
Net weight: 13.4 kg (29.6 lb)
Shipping weight: 15.3 kg (33.7 lb)

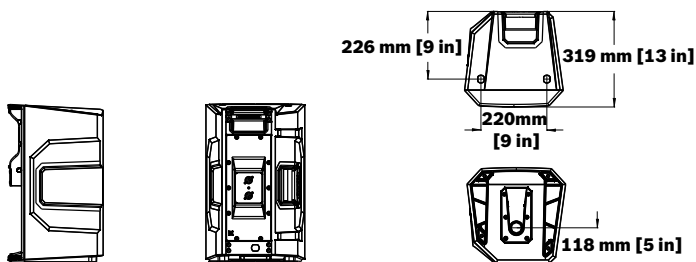
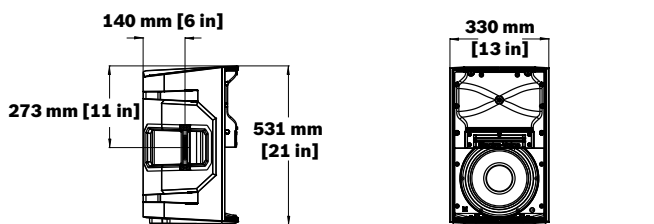
<sup>1</sup>Full-space measurement.

<sup>2</sup>Maximum SPL is measured at 1 m using broadband pink noise at rated peak power rating.

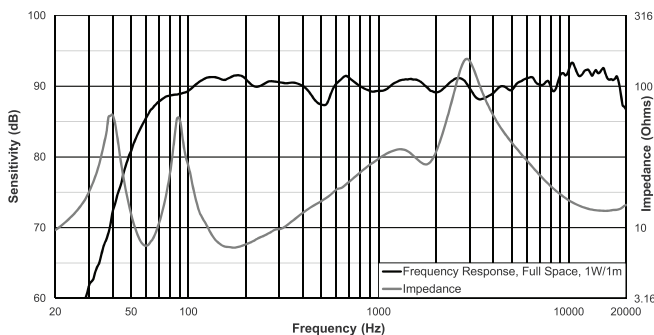
**i Notice**

This Electro-Voice loudspeaker should be suspended overhead only in accordance with the procedures and limitations specified in the User's Manual. This system should be suspended with certified rigging hardware by an authorized rigging professional and in compliance with local, state, and federal overhead suspension ordinances.

**Dimensions:**



**Frequency response and impedance:**



**ELX200-BRKT Wall mount bracket, ELX200 2-way, black**  
Wall mount bracket for all ELX200 full-range models, black  
Order number **ELX200-BRKT | F.01U.326.072**

**ELX200-BRKT-W Wall mount bracket, ELX200 2-way, white**  
Wall mount bracket for all ELX200 full-range models, white  
Order number **ELX200-BRKT-W | F.01U.361.514**

**Ordering information**

**ELX200-10 10" 2-way passive speaker**  
Passive 10-inch 2-way loudspeaker, black  
Order number **ELX200-10 | F.01U.326.055**

**ELX200-10-W 10" 2-way passive speaker, white**  
Passive 10-inch 2-way loudspeaker, white  
Order number **ELX200-10-W | F.01U.361.346**

**Accessories**

**EBK1-M10-3PACK Forged M10 3pack short shank eyebolt kit**  
Forged M10 short shank eyebolt kit for ELX10/10P, ELX 12/12P, and ELX 15/15P, 3-pack, silver  
Order number **EBK1-M10-3PACK | F.01U.327.889**

**ELX200-10-CVR Padded cover for ELX200-10, 10P**  
Padded cover for ELX200-10/10P, black  
Order number **ELX200-10-CVR | F.01U.326.065**

**Represented by:**

**Germany:**  
Bosch Sicherheitssysteme GmbH  
Robert-Bosch-Ring 5  
85630 Grasbrunn  
Germany  
www.electrovoice.com

Bosch Security Systems, LLC  
12000 Portland Avenue South  
Burnsville MN 55337  
USA