

User Manual

ECP-310/ECP-305/ECP-301

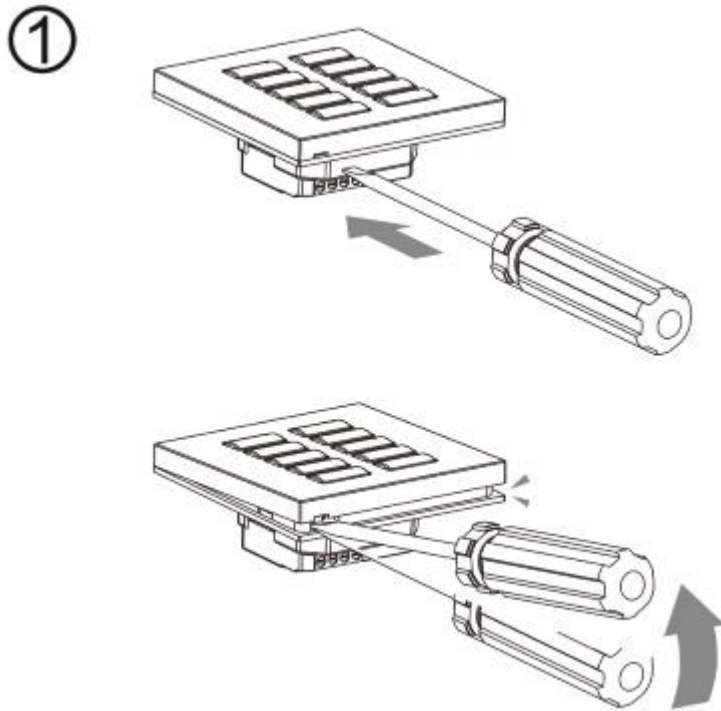
Control Panel



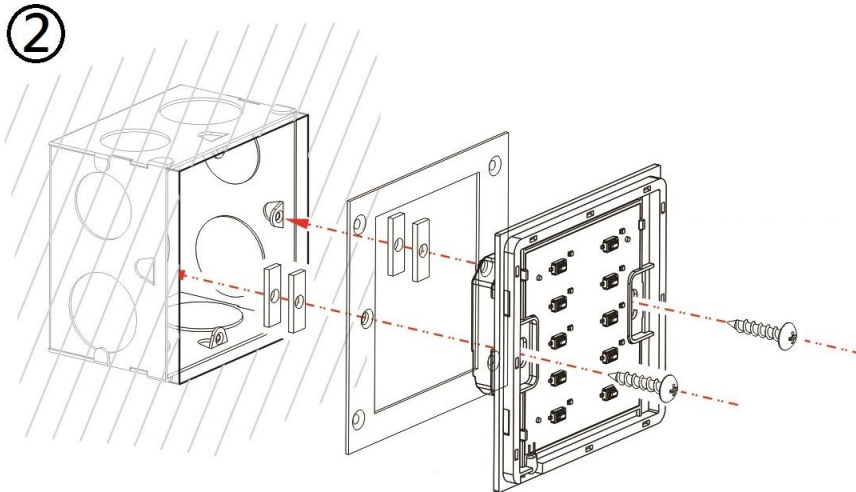
INDEX

0 INSTALLATIONS	3
1. INTRODUCTION	5
1-1 FEATURES	5
1-2 SPECIFICATIONS.....	5
1-3 FUNCTIONS AND WIRINGS	5
1-3-1 <i>DIP Switch</i>	6
1-3-2 <i>I/O Definition</i>	7
1-3-3 <i>Dry Contact Input Wiring</i>	7
2 OPERATIONS.....	8
2-1 ABOUT EDX SYSTEM	8
2-2 DIP SWITCH.....	9
2-2-1 <i>Zone/DIP Code, Setting Code:</i>	9
2-2-2 <i>Single/Multiple Zone:</i>	9
2-2-3 <i>Key Lock Enabled</i>	9
2-3 KEY CONFIGURATOR	10
2-4 DRY CONTACT INPUT	10
2-5 KEY LOCK/UNLOCK.....	10
APPENDIX: BINARY CODE PRINCIPAL	11
LIMITED WARRANTY	12

0 Installations



Please insert slotted screw driver to the bottom of the panel to remove the cover.

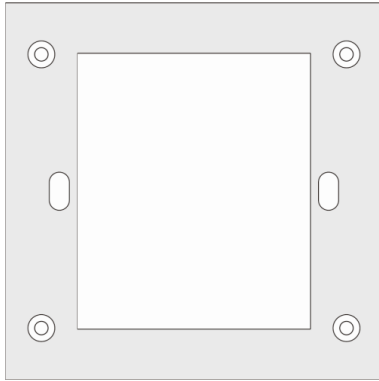


Please put the metal plate and metal pads (accessories) between the panel and the installation box.

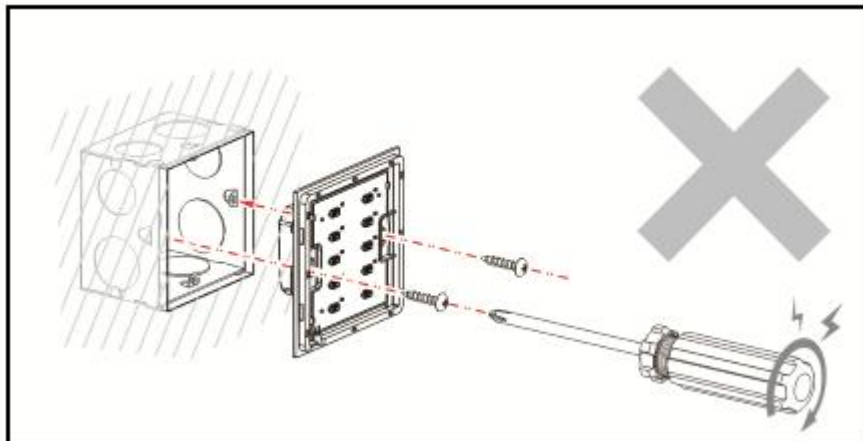
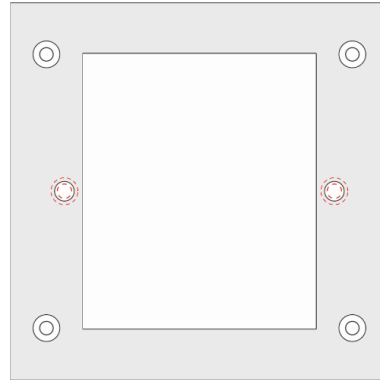
Metal pad



Metal plate (recommended for cement wall)



Metal plate (recommended for wooden wall)



Without metal plate and pads, the panel could be deformed after installing on the wall.

③



Put the cover back to the panel.

1. Introduction

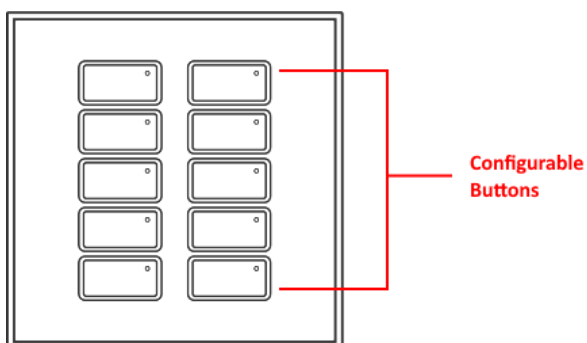
1-1 Features

1. Can edit functions by Key Configurator Software
2. Can match EDX dimmer and recall lighting scene
3. In multi zone mode, 1 ECP-310 can control at most 1-8 zones at the same time.
4. Can set panel button Lock/Unlock
5. 2 dry contacts input

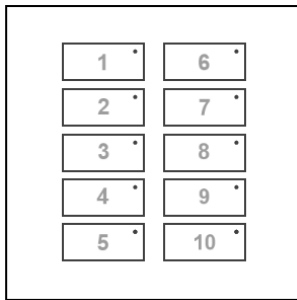
1-2 Specifications

1. Protocol: EDX
2. ECP-310/305/301 is 10-key, 5-key and 1-key panel
3. Signal connector: 4 PIN green terminal
4. Installation: standard 86 type bottom box
5. Dimension: 86 (W) * 86 (H) * 34 (D) mm
6. Weight: 104g

1-3 Functions and Wirings

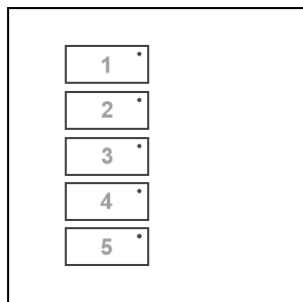


Default key function of ECP-310:



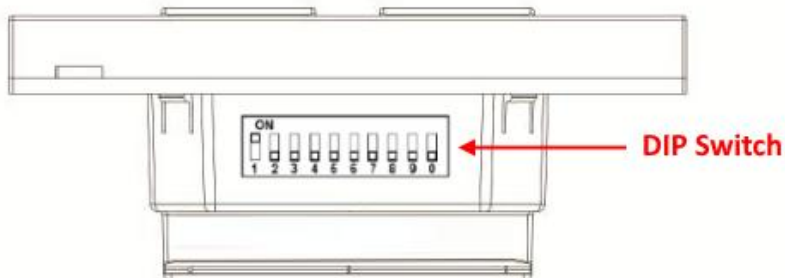
Key	Function	Key	Function
1	Scene 1	6	Scene 6
2	Scene 2	7	Scene 7
3	Scene 3	8	Scene 8
4	Scene 4	9	Dim Up
5	Scene 5	10	Dim Down

Default key function of ECP-305:

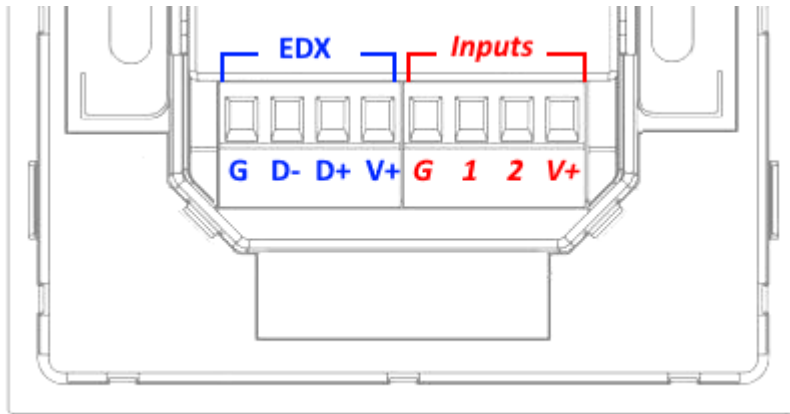


Key	Function
1	Scene 1
2	Scene 2
3	Scene 3
4	Scene 4
5	Scene 5

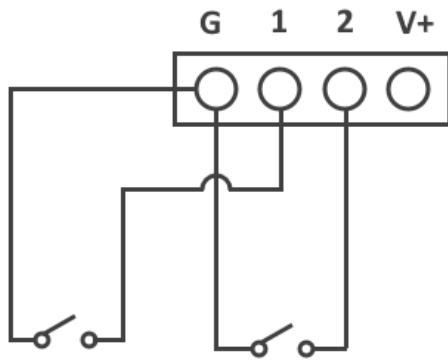
1-3-1 DIP Switch



1-3-2 I/O Definition



1-3-3 Dry Contact Input Wiring



2 Operations

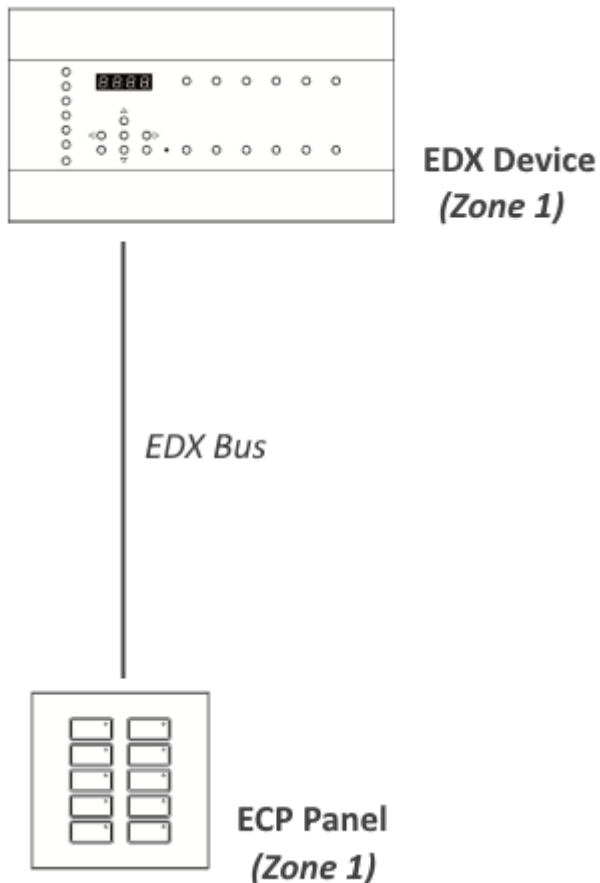
2-1 About EDX System

EDX is a protocol specifically designed for architectural and environmental lighting applications. EDX dimmers or devices are able to store scenes in themselves.

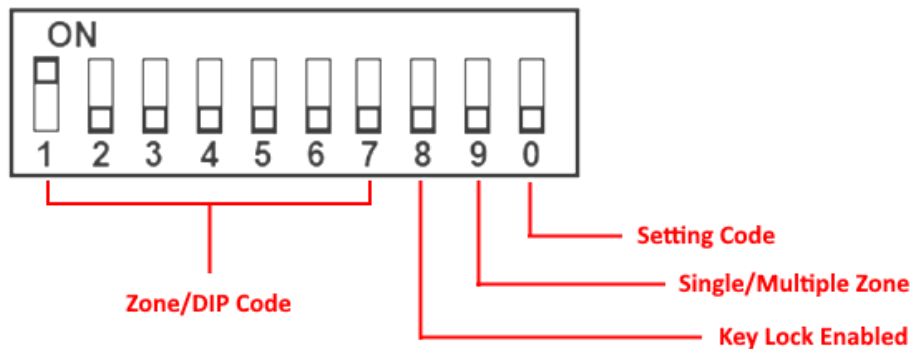
Each EDX device or ECP panel can be assigned a zone number. The scenes stored in EDX devices can be recalled by ECP panels with the same zone number.

For example, EDX devices configured as zone 1 can be controlled (recall scenes) by ECP panel configure as zone 1.

Figure 1: One EDX device with one ECP scene panel



2-2 DIP Switch



2-2-1 Zone/DIP Code, Setting Code:

- If Setting Code is ON, Zone/DIP Code determines the zone number.
- If Setting Code is OFF, Zone/DIP Code represents the DIP code. At this setting, the zone number is determined by Key Configurator (a GUI to configure the key definition. Please refer 2-3)

Zone/DIP code follows Binary Code Principal (Please refer appendix)

2-2-2 Single/Multiple Zone:

When DIP.9 is off: ECP-310 is single-zone mode;

When DIP.9 is on: ECP-310 is multi-zone mode.

In multi-zone mode (DIP.9/ON): DIP.1---DIP.7 means 1st---7th zone.

For example:

In multi zone mode, when DIP.1,3,4 is ON, ECP-310 can control 1,3,4 zone at the same time

In single zone mode (DIP.9/OFF): DIP.1---DIP.7 are set as binary and can set 1-127 zone. When DIP code of Key Configurator and the selection of DIP1-DIP7 is the same, the panel can be set by software.

2-2-3 Key Lock Enabled

When DIP8 is off (default), ECP-310 is not able be locked.

When DIP8 is on, ECP-310 is able be locked after pressing any key for 15 seconds.

2-3 Key Configurator

The keys on ECP-310/ECP-305/ECP-301 are customizable by a GUI called Key Configurator. To use Key Configurator, a Ethernet to EDX interface (DP-NEX1, DP-107E) is required. Please contact Liteputer for further information.

2-4 Dry Contact Input

Note: the dry contact inputs work only when scene OFF is present in the zone.

If any scene other than scene OFF is recalled, then the dry contacts are disabled till scene OFF is recalled.

When Input1 is active, SC5 is recalled, and when Input1 is inactive for 30s, SC OFF will be recalled;

When Input2 is active, SC6 is recalled, and when Input2 is inactive for 30s, SC OFF will be recalled;

2-5 Key Lock/Unlock

To enable key lock, please set DIP8 to ON (refer 2-2-3)

Lock: hold any key of the panel for 15s, indicator blinks for 3s, and then the panel has been locked. At this moment, press any key of the panel, indicator blinks and the panel does not work.

Unlock: In lock mode, hold any key of the panel for 15s, indicator blinks for 3s and then the panel is unlocked. At this moment, the panel recovers.

Appendix: Binary Code Principal

ZONE	7 bit DIP	ZONE	7 bit DIP	ZONE	7 bit DIP
	1234567		1234567		1234567
1	1000000	2	0100000	3	1100000
4	0010000	5	1010000	6	0110000
7	1110000	8	0001000	9	1001000
10	0101000	11	1101000	12	0011000
13	1011000	14	0111000	15	1111000
16	0000100	17	1000100	18	0100100
19	1100100	20	0010100	21	1010100
22	0110100	23	1101000	24	0001100
25	1001100	26	0101100	27	1101100
28	0011100	29	1011100	30	0111100
31	1111100	32	0000010	33	1000010
34	0100010	35	1100010	36	0010010
37	1010010	38	0110010	39	1110010
40	0001010	41	1001010	42	0101010
43	1101010	44	0011010	45	1011010
46	0111010	47	1111010	48	0000110
49	1000110	50	0100110	51	1100110
52	0010110	53	1010110	54	0110110
55	1110110	56	0001110	57	1001110
58	0101110	59	1001110	60	0011110
61	1011110	127	1111111

※0 = DIP/OFF; 1= DIP/ON.

Limited Warranty

1. Lite-Puter is only responsible for the product itself.
2. Lite-Puter warrants to repair any manufacturing defects within one year of distribution date.
3. Lite-Puter does not offer on-site service. Should a defect appear in Lite-Puter' s product, please deliver the product to local distributors or Taiwan Headquarters.
4. This Limited Warranty does not cover:
 - a. Any fault caused by false usage or imprudence (collision, inadequate installation or adjustment, insufficient ventilation, or improper repairs)
 - b. Force majeure factors (flooding, earthquake, volcanic eruption, or other factors beyond Lite-Puter' s control).
 - c. Labor costs incurred in diagnosis of defects; installation, reinstallation, wiring, rewiring, repairing, adjustment, or reprogramming of a product; or any other consequential expenses.
 - d. Other Lite-Puter or non-Lite-Puter products or devices offered, packaged, or sold with the product.
5. Lite-Puter does not warrant that the product will operate without interruption or free of error.

World Headquarters :

Lite-Puter Enterprise Co., Ltd.

Address: 9F, No. 196, Sec. 3, Datong Rd., Xizhi Dist., New Taipei City 221, Taiwan

Tel: +886-2-86472828

Fax: +886-2-86472626

Website: www.liteputer.com.tw

E-mail: sales@liteputer.com.tw

Shanghai Factory :

Lite-Puter Technology (Shanghai) Co.,Ltd.

Address: No. 375, Xingmei Rd., Minhang Dist., Shanghai 200237, China

Tel: +86-21-54408210

Fax: +86-21-54403376

Website: www.liteputer.com.tw

E-mail: sales_china@liteputer.com.tw