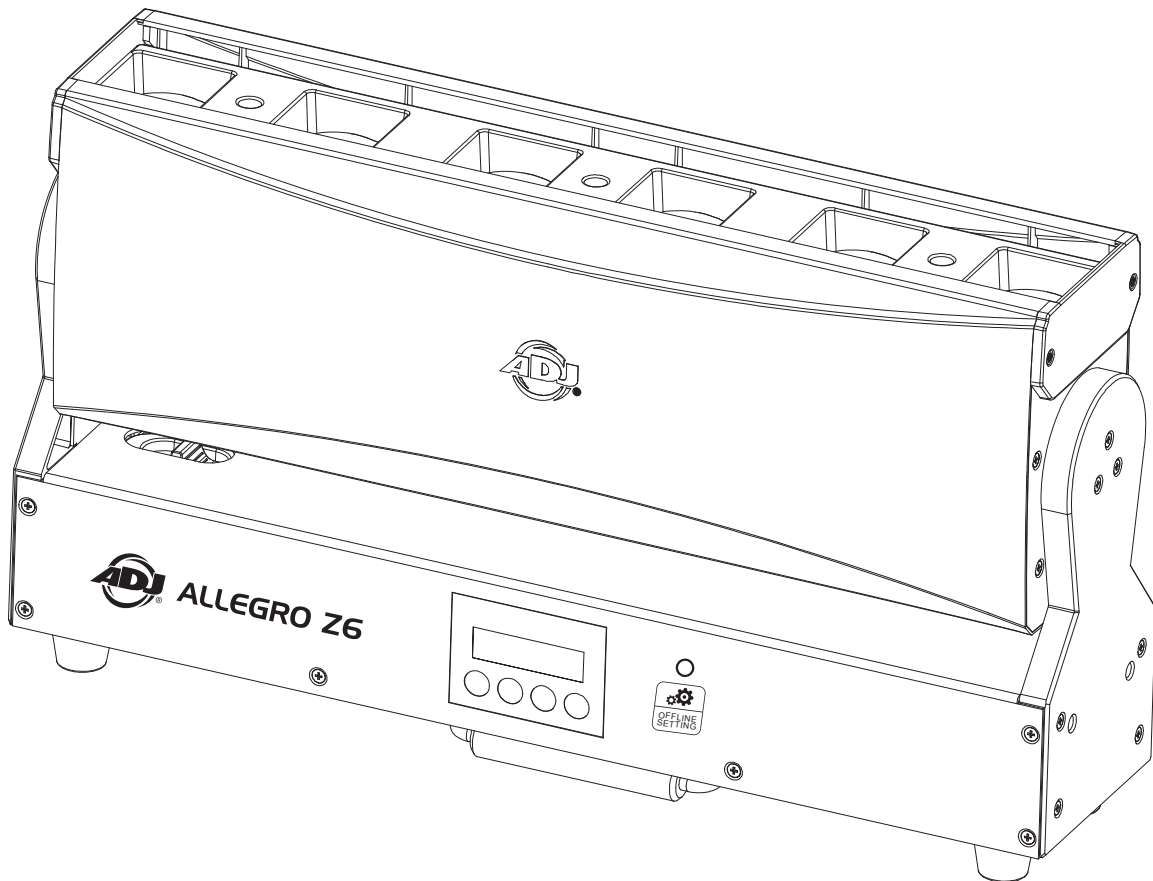




ALLEGRO Z6



User Instructions

©2018 ADJ Products, LLC all rights reserved. Information, specifications, diagrams, images, and instructions herein are subject to change without notice. ADJ Products, LLC logo and identifying product names and numbers herein are trademarks of ADJ Products, LLC. Copyright protection claimed includes all forms and matters of copyrightable materials and information now allowed by statutory or judicial law or hereinafter granted. Product names used in this document may be trademarks or registered trademarks of their respective companies and are hereby acknowledged. All non-ADJ Products, LLC brands and product names are trademarks or registered trademarks of their respective companies.

ADJ Products, LLC and all affiliated companies hereby disclaim any and all liabilities for property, equipment, building, and electrical damages, injuries to any persons, and direct or indirect economic loss associated with the use or reliance of any information contained within this document, and/or as a result of the improper, unsafe, insufficient and negligent assembly, installation, rigging, and operation of this product.

FCC STATEMENT

This device complies with Part 15 of the FCC Rules. Operation is subject to the following two conditions: (1) this device may not cause harmful interference, and (2) this device must accept any interference received, including interference that may cause undesired operation.

FCC RADIO FREQUENCY INTERFERENCE WARNINGS & INSTRUCTIONS

This product has been tested and found to comply with the limits as per Part 15 of the FCC Rules. These limits are designed to provide reasonable protection against harmful interference in a residential installation. This device uses and can radiate radio frequency energy and, if not installed and used in accordance with the included instructions, may cause harmful interference to radio communications. However, there is no guarantee that interference will not occur in a particular installation. If this device does cause harmful interference to radio or television reception, which can be determined by turning the device off and on, the user is encouraged to try to correct the interference by one or more of the following methods:

- Reorient or relocate the device.
- Increase the separation between the device and the receiver.
- Connect the device to an electrical outlet on a circuit different from which the radio receiver is connected.
- Consult the dealer or an experienced radio/TV technician for help.

DOCUMENT VERSION

Due to additional product features and/or enhancements, an updated version of this document may be available online.

Please check www.adj.com for the latest revision/update of this manual before beginning installation and/or programming.

Date	Document Version	Software Version ≥	DMX Channel Mode	Notes
08/07/19	1	1.2	17/37	Initial Version

Europe Energy Saving Notice

Energy Saving Matters (EuP 2009/125/EC)

Saving electric energy is a key to help protecting the environment. Please turn off all electrical products when they are not in use. To avoid power consumption in idle mode, disconnect all electrical equipment from power when not in use. Thank you!

Introduction	3
Features Warranty Registration	4
Safety Guidelines	5
Overview	6
Installation	7
DMX Set Up	9
DMX Addressing	10
DMX Channel Modes & Values	11
System Menu	14
Pixel Control	21
Dimmer Curve Chart	22
Dimensional Drawings	23
Error Codes	24
Fuse Replacement Multiple Unit Power Linking	25
Trouble Shooting Cleaning	25
Limited Warranty (USA Only)	26
Technical Specifications	27

Unpacking: Thank you for purchasing the Allegro Z6 by ADJ Products, LLC. Every unit has been thoroughly tested and has been shipped in perfect operating condition. Carefully check the shipping carton for damage that may have occurred during shipping. If the carton appears to be damaged, carefully inspect your fixture for any damage and be sure all accessories necessary to operate the unit has arrived intact. In the case damage has been found or parts are missing, please contact our toll free customer support number for further instructions. Do not return this unit to your dealer without first contacting customer support.

Introduction: The Allegro Z6 is a DMX intelligent, moving bar, LED fixture. To optimize the performance of this product, please read these operating instructions carefully to familiarize yourself with the basic operations of this unit. ***This product is intended to be used by professionally trained personnel only and is not suitable for private use.***

Customer Support: Contact ADJ Service for any product related service and support needs. Also visit forums.adj.com with questions, comments or suggestions.

Parts: To purchase parts online visit:
<http://parts.americandj.com> (US)
<http://www.adjparts.eu> (EU)

ADJ SERVICE USA - Monday - Friday 8:00am to 4:30pm PST
Voice: 800-322-6337 | Fax: 323-832-2941 | support@adj.com

ADJ SERVICE EUROPE - Monday - Friday 08:30 to 17:00 CET
Voice: +31 45 546 85 60 | Fax: +31 45 546 85 96 | support@adj.eu

ADJ PRODUCTS LLC USA

6122 S. Eastern Ave. Los Angeles, CA. 90040
323-582-2650 | Fax 323-532-2941 | www.adj.com | info@adj.com

ADJ SUPPLY Europe B.V

Junostraat 2 6468 EW Kerkrade, The Netherlands
+31 (0)45 546 85 00 | Fax +31 45 546 85 99
www.adj.eu | info@adj.eu

ADJ PRODUCTS GROUP Mexico

AV Santa Ana 30 Parque Industrial Lerma, Lerma, Mexico 52000
+52 (728) 282-7070

Caution! There are no user serviceable parts inside this unit. Do not attempt any repairs yourself, doing so will void your manufactures warranty. In the unlikely event your unit may require service please contact ADJ Products, LLC.

PLEASE recycle the shipping carton when ever possible.

Allegro Z6

Features

- DMX-512 protocol
- 2 DMX Channel Modes: 17/37
- 5-Pin DMX Connections
- ArtNet and RDM Control
- Electronic Dimming 0-100%
- Pixel Control
- 6 Dimmer Modes and Dim Speed Control
- Multiple Unit Power Linking (See page 25)

Included:

1 x Power Twist Lock Cable

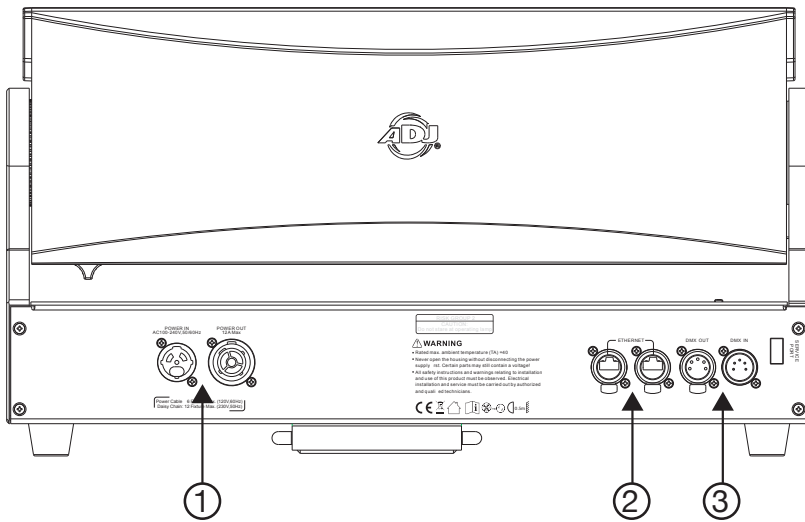
2 x Omega Brackets

Allegro Z6

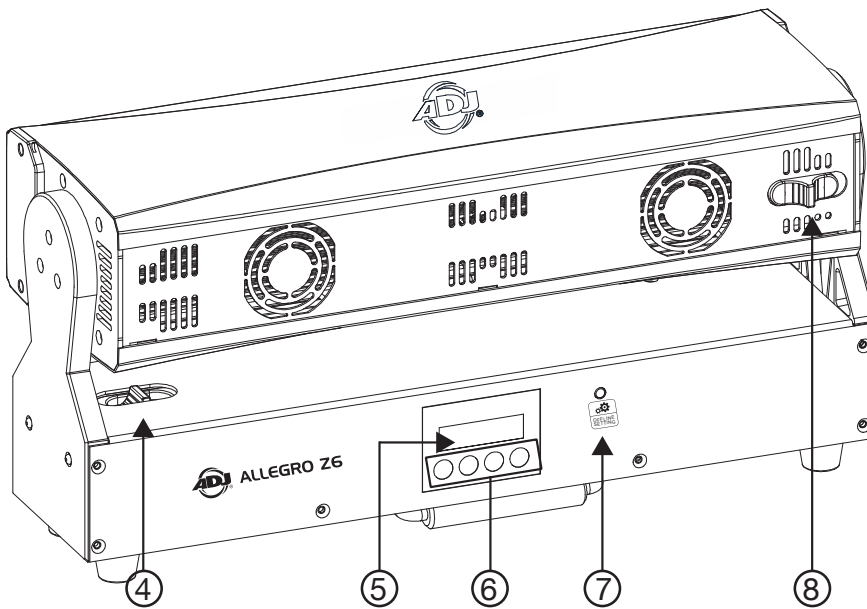
Warranty Registration

The Allegro Z6 carries a 2 year limited warranty. Please fill out the enclosed warranty card to validate your purchase. All returned service items whether under warranty or not, must be freight pre-paid and accompany a return authorization (R.A.) number. The R.A. number must be clearly written on the outside of the return package. A brief description of the problem as well as the R.A. number must also be written down on a piece of paper included in the shipping carton. If the unit is under warranty, you must provide a copy of your proof of purchase invoice. You may obtain a R.A. number by contacting our customer support team on our customer support number. All packages returned to the service department not displaying a R.A. number on the outside of the package will be returned to the shipper.

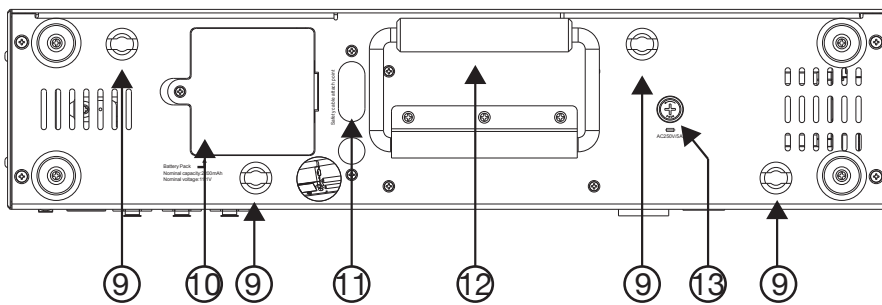
- Do not attempt to operate this unit if the power cord has been frayed or broken. Do not attempt to remove or break off the ground prong from the electrical cord. This prong is used to reduce the risk of electrical shock and fire in case of an internal short.
- Disconnect from main power before making any type of connection.
- Do not remove the cover under any conditions. There are no user serviceable parts inside.
- Never operate this unit when it's cover is removed.
- Never plug this unit in to a dimmer pack
- Always be sure to mount this unit in an area that will allow proper ventilation. Allow about 6" (15cm) between this device and a wall.
- Do not attempt to operate this unit, if it becomes damaged.
- During long periods of non-use, disconnect the unit's main power.
- Always mount this unit in safe and stable matter.
- Power-supply cords should be routed so that they are not likely to be walked on or pinched by items placed upon or against them, paying particular attention to the point they exit from the unit.
- Cleaning -The fixture should be cleaned only as recommended by the manufacturer. See page 25 for cleaning details.
- Heat -The appliance should be situated away from heat sources such as radiators, heat registers, stoves, or other appliances (including amplifiers) that produce heat.
- The fixture should be serviced by qualified service personnel when:
 - A. The power-supply cord or the plug has been damaged.
 - B. Objects have fallen, or liquid has been spilled into the fixture.
 - C. The fixture does not appear to operate normally or exhibits a marked change in performance.
 - D. The fixture has fallen and/or subjected to extreme handling.



- 1. Power IN/OUT
- 2. RJ45 Ethernet IN/OUT
- 3. 5-Pin DMX IN/OUT



- 4. Alignment Pin Switch
- 5. LCD Menu Display
- 6. MENU Button
UP Button
DOWN Button
ENTER Button
- 7. Offline Setting (DC Switch)
- 8. Tilt Lock
- 9. Omega Bracket Attachment Points
- 10. Battery Compartment
- 11. Safety Cable Attachment Points

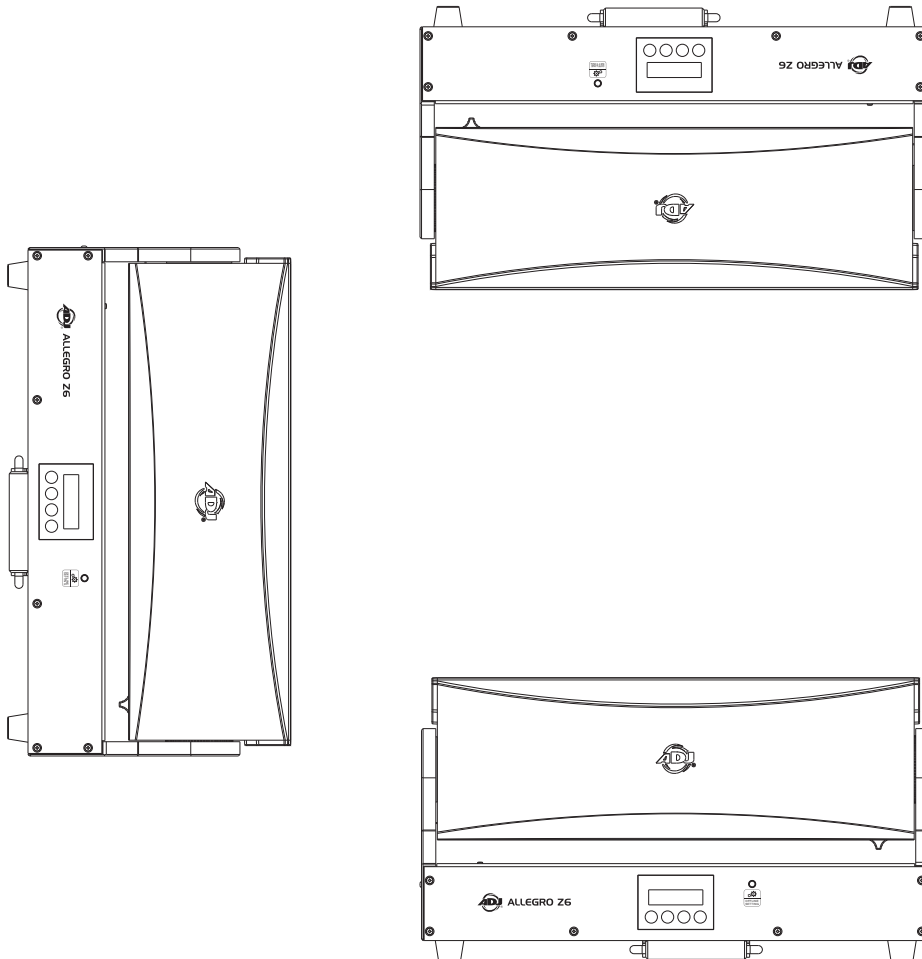


- 12. Carrying Handle
- 13. Fuse

When installing the unit, the trussing or area of installation must be able to hold 10 times the weight without any deformation. When installing the unit must be secured with a secondary safety attachment, e.g. and appropriate safety cable. Never stand directly below the unit when mounting, removing, or servicing the unit.

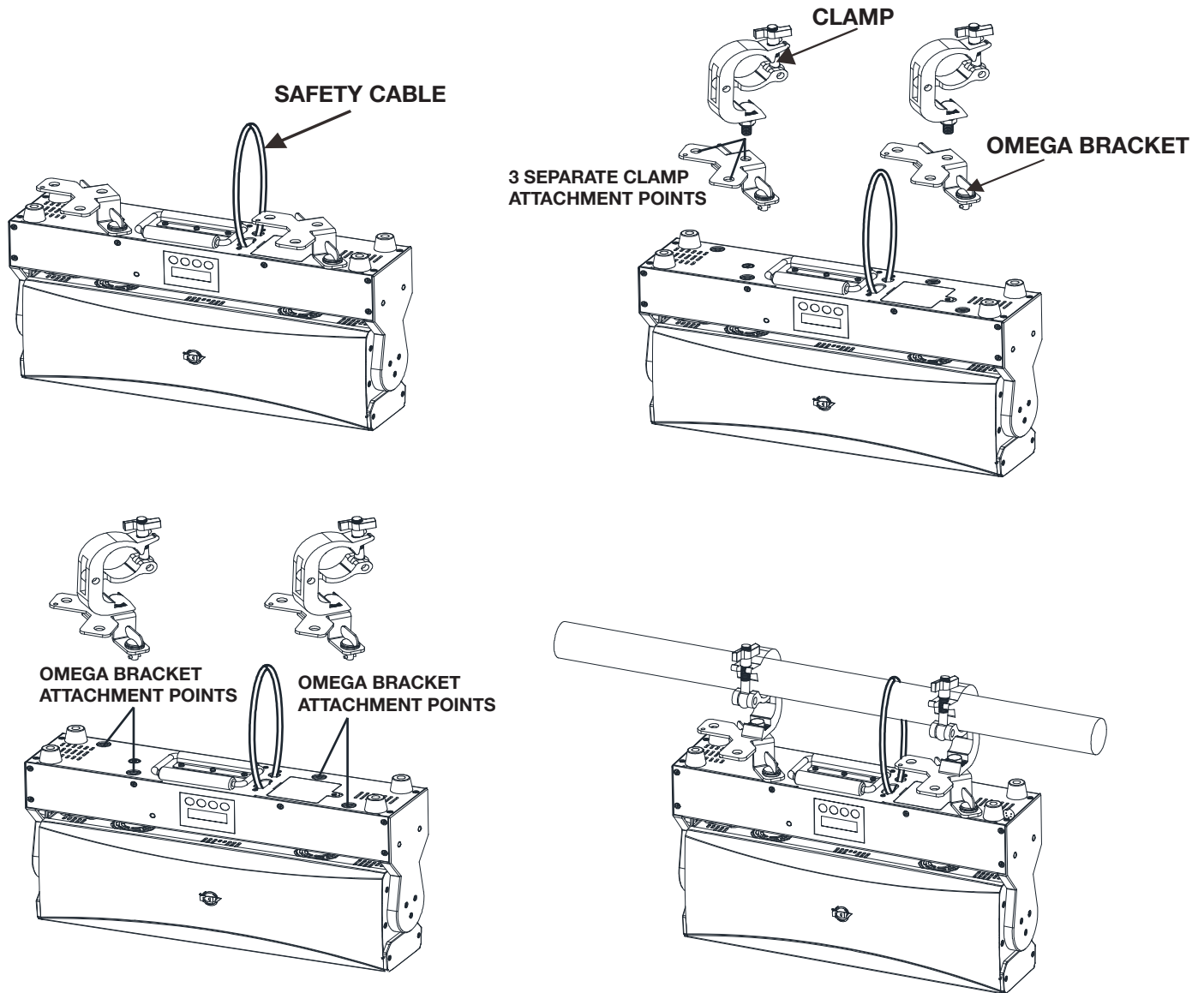
Overhead mounting requires extensive experience, including calculating working load limits, installation material being used, and periodic safety inspection of all installation material and unit. If you lack these qualifications, do not attempt the installation yourself.

These installaiton should be checked by a skilled person once a year.



The Allegro Z6 is fully operational in three different mounting positions, hanging upside-down from a ceiling or trussing, sideways on trussing, or set on a flat level surface. Be sure this fixture is kept at least 12m (40ft) away from any flammable materials (decoration etc.). Always use and install the supplied safety cable as a safety measure to prevent accidental damage and/or injury in the event the clamp fails (see next page). Never use the carrying handles for secondary attachment.

NOTICE: The suitable environmental temperature for this lighting fixture is between -25° C to 45° C. Do not place this lighting fixture in an environment where the temperatures are under or above the temperatures stated above. This will allow the fixture to run at its best and help prolong the fixture life.



Screw one clamp each via a M12 screw and nut into the Omega bracket. Insert the quick-lock fasteners of the Omega holder's into the respective holes on the bottom of the Allegro Z6. Tighten the quick-lock fasteners fully clockwise. Pull the safety cable through the openings located on the base and over the trussing system or a safe fixation spot. Insert the end in the carabine and tighten the safety screw.

DMX-512: DMX is short for Digital Multiplex. This is a universal protocol used as a form of communication between intelligent fixtures and controllers. A DMX controller sends DMX data instructions from the controller to the fixture. DMX data is sent as serial data that travels from fixture to fixture via the DATA “IN” and DATA “OUT” XLR terminals located on all DMX fixtures (most controllers only have a DATA “OUT” terminal).

DMX Linking: DMX is a language allowing all makes and models of different manufactures to be linked together and operate from a single controller, as long as all fixtures and the controller are DMX compliant. To ensure proper DMX data transmission, when using several DMX fixtures try to use the shortest cable path possible. The order in which fixtures are connected in a DMX line does not influence the DMX addressing. For example; a fixture assigned a DMX address of 1 may be placed anywhere in a DMX line, at the beginning, at the end, or anywhere in the middle. When a fixture is assigned a DMX address of 1, the DMX controller knows to send DATA assigned to address 1 to that unit, no matter where it is located in the DMX chain.

Data Cable (DMX Cable) Requirements (For DMX Operation): The Allegro Z6 can be controlled via DMX-512 protocol. The DMX address is set on the front panel of the Allegro Z6. Your unit and your DMX controller require a standard 5-pin XLR connector for data input and data output (Figure 1). We recommend Accu-Cable DMX cables. If you are making your own cables, be sure to use standard 110-120 Ohm shielded cable (This cable may be purchased at almost all pro lighting stores). Your cables should be made with a male and female XLR connector on either end of the cable. Also remember that DMX cable must be daisy chained and cannot be split.

Special Note: Line Termination. When longer runs of cable are used, you may need to use a terminator on the last unit to avoid erratic behavior. A terminator is a 110-120 ohm 1/4 watt resistor which is connected between pins 2 and 3 of a male XLR connector (DATA + and DATA -). This unit is inserted in the female XLR connector of the last unit in your daisy chain to terminate the line. Using a cable terminator (ADJ part number Z-DMX/T) will decrease the possibilities of erratic behavior.

All fixtures should be given a DMX starting address when using a DMX controller, so the correct fixture responds to the correct control signal. This digital starting address is the channel number from which the fixture starts to “listen” to the digital control signal sent out from the DMX controller. The assignment of this starting DMX address is achieved by setting the correct DMX address on the digital control display on the fixture.

You can set the same starting address for all fixtures or a group of fixtures, or set different addresses for each individual fixture. Setting all fixtures to the same DMX address will cause all fixtures to react in the same way, in other words, changing the settings of one channel will affect all the fixtures simultaneously.

If you set each fixture to a different DMX address, each unit will start to “listen” to the channel number you have set, based on the quantity of DMX channels of each fixture. That means changing the settings of one channel will only affect the selected fixture.

In the case of the Allegro Z6, when in 17 channel mode you should set the starting DMX address of the first unit to 1, the second unit to 18 ($17 + 1$), the third unit to 35 ($18 + 17$), and so on. (See the chart below for more details.)

Channel Mode	Unit 1 Address	Unit 2 Address	Unit 3 Address	Unit 4 Address
17 Channels	1	18	35	52
37 Channels	1	38	75	112

17 Channels	37 Channels	Values	Functions
1	1	000-255	TILT MOVEMENT (8 BIT)
2	2	000-255	TILT MOVEMENT FINE (16 BIT)
3		000-255	RED ALL 0%-100%
4		000-255	GREEN ALL 0%-100%
5		000-255	BLUE ALL 0%-100%
6		000-255	WHITE ALL 0%-100%
	3	000-255	RED 1 0%-100%
	4	000-255	GREEN 1 0%-100%
	5	000-255	BLUE 1 0%-100%
	6	000-255	WHITE 1 0%-100%
	7	000-255	RED 2 0%-100%
	8	000-255	GREEN 2 0%-100%
	9	000-255	BLUE 2 0%-100%
	10	000-255	WHITE 2 0%-100%
	11	000-255	RED 3 0%-100%
	12	000-255	GREEN 3 0%-100%
	13	000-255	BLUE 3 0%-100%
	14	000-255	WHITE 3 0%-100%
	15	000-255	RED 4 0%-100%
	16	000-255	GREEN 4 0%-100%
	17	000-255	BLUE 4 0%-100%
	18	000-255	WHITE 4 0%-100%
	19	000-255	RED 5 0%-100%
	20	000-255	GREEN 5 0%-100%
	21	000-255	BLUE 5 0%-100%
	22	000-255	WHITE 5 0%-100%
	23	000-255	RED 6 0%-100%
	24	000-255	GREEN 6 0%-100%
	25	000-255	BLUE 6 0%-100%
	26	000-255	WHITE 6 0%-100%
			MACROS
		000-008	No Function
		009-038	Macro 1
		039-068	Macro 2
		069-098	Macro 3
		099-128	Macro 4
		129-158	Macro 5
		159-188	Macro 6
		189-255	Macro 7
7	27		

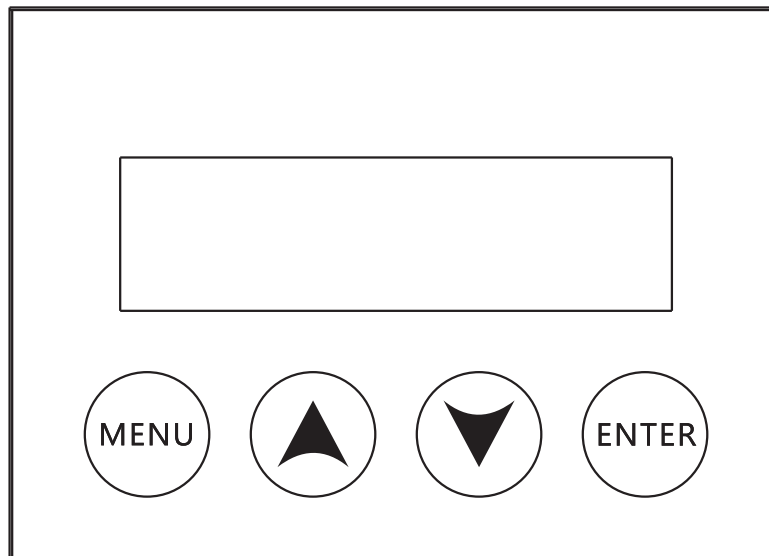
17 Channels	37 Channels	Values	Functions
8	28		COLOR TEMPERATURES
		000-015	Close
		016-031	2700k
		032-047	3000k
		048-063	3300k
		064-079	3600k
		080-095	3900k
		096-111	4200k
		112-127	4500k
		128-143	4800k
		144-159	5100k
		160-175	5400k
		176-191	5700k
		192-207	6000k
		208-223	6300k
224-239	6600k		
240-255	7000k		
9	29		FOREGROUND COLORS (MOVING COLORS)
		000-007	Red
		008-077	Red-Green
		078-085	Green
		086-155	Green-Blue
		156-163	Blue
		164-233	Blue-Red
		234-241	Red
		242-249	Red-Green-Blue
250-255	Close		
10	30		BACKGROUND COLORS (STATIC COLORS)
		000-007	Red
		008-077	Red-Green
		078-085	Green
		086-155	Green-Blue
		156-163	Blue
		164-233	Blue-Red
		234-241	Red
		242-249	Red-Green-Blue
250-255	Close		
11	31		SHUTTER & STROBE
		000-031	Closed
		032-063	Open
		064-095	Strobing Slow-Fast
		096-127	Open
		128-159	Pulse Effect
		160-191	Open
		192-223	Random Strobing Slow-Fast
224-255	Open		
12	32	000-255	DIMMER 0%-100%
13	33	000-255	DIMMER FINE
14	34	000-255	ZOOM 0%-100%

17 Channels	37 Channels	Values	Functions
15	35		DIMMER MODES
		000-020	Standard
		021-040	Stage
		041-060	TV
		061-080	Architectural
		081-100	Theatre
		101-120	Stage 2
			DIMMER DELAY TIME
		121	0.1Sec.
		122	0.2Sec.
		123	0.3Sec.
		124	0.4Sec.
		125	0.5Sec.
		126	0.6Sec.
		127	0.7Sec.
		128	0.8Sec.
		129	0.9Sec.
		130	1.0Sec.
		131	1.5Sec.
		132	2.0Sec.
		133	3.0Sec.
134	4.0Sec.		
135	5.0Sec.		
136	6.0Sec.		
137	7.0Sec.		
138	8.0Sec.		
139	9.0Sec.		
140	10Sec.		
141-255	Default to Unit Setting		
16	36		TILT SPEED
		000-007	Auto Speed
		008-247	Slow-Fast
		248-255	Auto Speed
17	37		SPECIAL FUNCTIONS
		000-020	No Function
		021-040	Enable Blackout with Tilt Movement
		041-060	Disable Blackout with Tilt Movement
		061-080	Reset All Motors
		081-100	Reset Tilt Motor
		101-120	Reset Zoom Motor
121-255	No Function		

SYSTEM MENU

The fixture includes an easy to navigate system menu control panel display where all necessary settings and adjustments are made. (See image below) During normal operation, pressing the **MENU** button once will access the fixture's main menu. Once in the main menu, you can navigate through the different functions and access the sub-menus with the **UP** and **DOWN** buttons. When you reach a field that requires adjusting, press the **ENTER** button to access that field and use the **UP** and **DOWN** buttons to adjust the field. Pressing the **ENTER** button once more will confirm your setting. You may exit the main menu at any time without making any adjustments by pressing the **MENU** button.

To access the system menu when the fixture is not powered using the internal battery, press and hold the OFFLINE SETTING button to illuminate the LCD screen until SETUP is displayed. Use the control buttons to navigate to your desired menus.



MENU	SUBMENU	OPTIONS	DESCRIPTION
DMX SETTINGS	DMX Address	001-XXX	DMX Addressing
	DMX Channel Mode	17Ch / 37Ch	DMX Channel Mode Selection
	No DMX Status	Hold Last / Blackout / Manual	DMX Lost Status
ETHERNET SETTINGS	Protocol	Artnet / sACN / Disable	Set Network Protocol
	IP Address	2.1.1.1	Enter Fixture's IP Address
	Net Mask	255.0.0.0	Enter Fixture's MAC Address
	ArtNet Universe	0-32,767	Set ArtNet Universe
	sACN Settings	sACN Universe: 00001-32000	Set sACN Universe
		sACN Priority: 0-255	Set sACN Priority
Lock Ethernet Set	ON / OFF (PassCode = 50)	Lock Ethernet Settings	
PERSONALITY	Status Settings	Tilt Invert: ON / OFF	Reverse Tilt Motion
		Tilt Feedback: ON / OFF	Reverse Tilt Motion
		Tilt Speed: Speed 1-4	Tilt Movement Speed
		Hibernation: Off / 01M~99M / 15M	Sleep Setting (No Activity)
	Fan Settings	Head: Auto / High / Silent (Low)	Head Fan Speed Setting
		Base: Auto / High / Silent (Low)	Base Fan Speed Setting
	Dim Modes	Standard / Stage / TV / Architectural / Theatre / Stage2	Dimming Curve Modes
		Dim Speed: 0.1-0.9s ~ 1-10s	Dimming Speed
	LED Refresh Rate	900Hz / 1000Hz / 1100Hz / 1200Hz / 1300Hz / 1400Hz / 1500Hz / 2500Hz / 6000Hz / 25000Hz	LED Refresh Setting
	Gamma	1.0 / 2.0 / 2.2 / 2.4 / 2.6 / 2.8	Gamma Brightness
	Reset Motors	Reset All Motors: YES / NO	Reset All Motors
		Tilt Reset: YES / NO	Reset the Tilt Motor
		Zoom Reset: YES / NO	Reset the Zoom Motor
	Display	Display Invert: YES / NO	Display Readout Inversion
		Screen Saver Delay: OFF~10 Minutes	Display Shutoff Time
		Display Lock: ON / OFF	Display Lock
	Pixel Flip	Standard / Flip	Set Pixel Flip Mode
	Service (PassCode = 50)	Effect Adjust - PassCode = 50	Calibration
		USB Port Power: ON / OFF	USB Port Activation
		Update Software	Software Update
Factory Restore: YES / NO - PassCode = 11		Restore Factory Settings	

MENU	SUBMENU	OPTIONS	DESCRIPTION	
MANUAL CONTROL	Tilt	000-255	Manual Control	
	Tilt Fine	000-255		
	Red (All)	000-255		
	Green (All)	000-255		
	Blue (All)	000-255		
	White (All)	000-255		
	Red 1-6	000-255		
	Green 1-6	000-255		
	Blue 1-6	000-255		
	White 1-6	000-255		
	Macros	000-255		
	Color Temp.	000-255		
	FrontClr	000-255		
	BackClr	000-255		
	Shutter	000-255		
	Dimmer	000-255		
	Dimmer Fine	000-255		
	Zoom	000-255		
	Dim Modes	000-255		
Tilt Speed	000-255			
SplFunc	000-255			
INFORMATION	Fixture Life Time	Power On Time - XXXXXX Hours	Total Running Time (Not Resettable)	
		P-On Time-R - XXXXXX Hours	Total Running Time (Resettable)	
		P-On Time Reset - PassCode = 50	Reset Total Running Time	
	Total LED Time	LED On Time - XXXXXX Hours	Total LED On Running Time (Not Resettable)	
		LED On Time-R - XXXXXX Hours	LED On Running Time (Resettable)	
		LED On Time Reset - PassCode = 50	Reset LED Running Time	
	Fixture Temperatures	LED's	Current: XXX °F / XXX °C	Current Head Temperature
			Max Resettable: XXX °F / XXX °C	Maximum Temperature ⁽¹⁾ Reached (Resettable) (See Note 1)
			Max Not Resettable: XXX °F / XXX °C	Maximum Temperature ⁽²⁾ Reached (Not Resettable) (See Note 2)
		Base	Current: XXX °F / XXX °C	Current Base Temperature
			Max Resettable: XXX °F / XXX °C	Maximum Temperature ⁽¹⁾ Reached (Resettable) (See Note 1)
			Max Not Resettable: XXX °F / XXX °C	Maximum Temperature ⁽²⁾ Reached (Not Resettable) (See Note 2)
		Reset LED Temp: PassCode = 50		Reset Head Temperature (Max Resettable)
		Reset Base Temp: PassCode = 50		Reset Base Temperature (Max Resettable)
		Fan Info. (RPM)	Base Fan: XXXX	Base Fan Current Speed
	Head Fan 1: XXXX		Head Fan 1 Current Speed	
	Head Fan 2: XXXX		Head Fan 2 Current Speed	

MENU	SUBMENU	OPTIONS	DESCRIPTION
INFORMATION	DMX Values ⁽³⁾ (See Note 3)	Tilt / Tilt Fine / Red 1-6 / Green 1-6 / Blue 1-6 / White 1-6 / Macros / Color Temp. / FrontClr / BackClr / Shutter / Dimmer / Dimmer Fine / Zoom / Dim Modes / Tilt Speed / SpclFunc	Current DMX Values
	Product ID's	Mac Address: XX-X-XXX-XX-XXX-XXX	Current Mac Address
		RDM UID: XXXXXXXXXXXXX	Current RDM UID
	Error Logs	Fixture Error	Fixture Error Codes
		Reset Error Log: YES / NO - (PassCode = 50)	Clear the Error Log
	Max Temp LED ON	68~174°F, 113°F ⁽⁴⁾ / 20~79°C, 45°C ⁽⁴⁾ (See Note 4 below)	Fixture Temp. (LED On)
	High Temp LED OFF	176~282°F, 266°F ⁽⁵⁾ / 80~139°C, 130°C ⁽⁵⁾ (See Note 5 below)	Fixture Temp. (LED Off)
Software Version	VX.X	Current Software Version	

Notes:

- (1) Current Maximum Temperature - Maximum fixture temp. that has been recorded, before reset and after reset.
(2) Maximum Temperature - Overall maximum fixture temp. that has been recorded. (Not Resettable).
(3) DMX Value options depend on the DMX Channel mode setting.
(4) Max Temp LED ON - Normal Operating Temperature.
(5) Max Temp LED OFF - Normal Operating Temperature.

DMX SETTINGS - The submenus listed under **DMX SETTINGS** are as follows: **Set Address**, **DMX Channel Mode**, and **No DMX Status**.

- **SET ADDRESS** - In this submenu you can find and set your desired DMX address.
- **DMX CHANNEL MODE** - In this submenu you can find and set your desired DMX channel mode.
- **NO DMX STATUS** - This submenu setting is used as a precaution mode in case the DMX signal is lost or interrupted. The operating mode chosen in this submenu is the running mode the fixture will go into when the DMX signal is lost. Listed below are the 3 modes.
 - **Hold Last** - This setting will have the fixture stay in the last DMX setup.
 - **Blackout** - This setting will have the fixture automatically go into stand by mode.
 - **Manual** - This setting will go into the current manual control set up. See **MANUAL CONTROL**.

ETHERNET SETTINGS - The submenus listed under **ETHERNET SETTINGS** are as follows: **Protocol**, **IP Address**, **Net Mask**, **Artnet Universe**, **sACN Settings**, and **Lock Ethernet Setting**.

- **PROTOCOL** - In this submenu you are able to select your desired protocol mode.
- **IP ADDRESS** - In this submenu you are able to enter the fixture's IP Address.
- **NET MASK** - In this submenu you are able to enter the fixture's MAC Address.
- **ARTNET UNIVERSE** - In this submenu you are able to set the ArtNet universe.
- **SACN SETTINGS** - In this submenu you are able to set the sACN universe and sACN priority.
- **LOCK ETHERNET SET** - In this submenu you are able to lock the Ethernet settings.

PERSONALITY - The submenus listed under **PERSONALITY** are as follows: **Status Settings**, **Fan Settings**, **Dim Modes**, **LED Refresh Rate**, **Gamma**, **Reset Motors**, **Display**, and **Service**.

- **STATUS SETTINGS** - In this submenu you are able to invert the tilt function, activate tilt feedback, adjust the tilt speed, and adjust the hibernation setting.
- **FAN SETTINGS** - In this submenu you are able to select your desired fan speed settings for both the head and base fans.
- **DIM MODES** - In this submenu you are able to select your desired dimmer mode and adjust the dimming speed time.
- **LED REFRESH RATE** - In this submenu you are able to select your desired LED refresh rate.
- **GAMMA** - In this submenu you are able to select your desired gamma setting.
- **RESET MOTORS** - In this submenu you are able to reset selected motors.
- **DISPLAY** - In this submenu you are able to invert the display, activate the display blackout, and activate/deactivate the display lock.
- **PIXEL FLIP** - In this submenu you are able to adjust the pixel starting direction.
- **SERVICE** - In this submenu you are able to calibrate the fixture (**EFFECT ADJUST**), activate the service port power, update the software, and restore the factory settings.

MANUAL CONTROL - This menu is for manual testing and manual control. Tilt, RGBW colors, front and back colors, shutter, dimmer, zoom, dimmer modes, tilt speed, and special functions can all be tested/adjusted.

INFORMATION - The submenus listed under **INFORMATION** are as follows: *Fixture Life Time*, *Total LED Time*, *Fixture Temps*, *Fan Info. (RPM)*, *DMX Values*, *Error Logs*, and *Software Version*.

- **FIXTURE LIFE TIME**

- **Power On Time** - The **TOTAL** power ON running time of the unit is displayed. This time **CANNOT** be reset.
- **P-On Time-R** - The **CURRENT** power ON running time of the unit is displayed. This running time may not be the same as the total power ON running time displayed under "**Power On Time**". This time **CAN** be reset. **NOTE: The displayed time represents the current power ON time since the last reset.**
- **P-On Time-Reset** - Reset the **CURRENT** power ON running time that is displayed under "**P-On Time-R**".

- **TOTAL LED TIME**

- **LED On Time** - The **TOTAL** LED ON time is displayed. This total LED ON time **CANNOT** be reset. **NOTE: The displayed time represents the TOTAL LED ON time.**
- **LED On Time-R** - The **CURRENT** LED ON running time is displayed. This running time may not be the same as the total LED ON time displayed under "**LED On Time**". This total LED ON time **CAN** be reset. **NOTE: The displayed time represents the current LED ON time since the last reset.**
- **LED On Time Reset** - With this function you can reset the **CURRENT** LED ON time that is displayed under "**LED On Time-R**".

- **FIXTURE TEMPS**

- **LED** - The current temperature of the LED is displayed.
- **Reset LED Temp** - Reset the LED temperature reading.

- **FAN INFO. (RPM)** - In this submenu the current fan speed will be displayed.

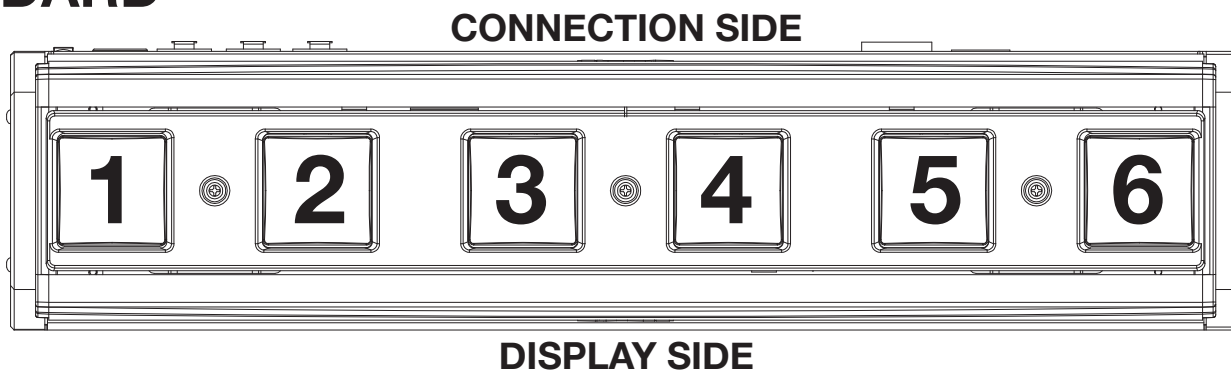
- **DMX VALUES** - Displays the DMX values of any DMX channel that is currently in use. **NOTE: DMX value options depend on the current DMX channel mode setting.**

- **ERROR LOGS** - In this submenu you are able to check any unit errors as well as clearing the error log.

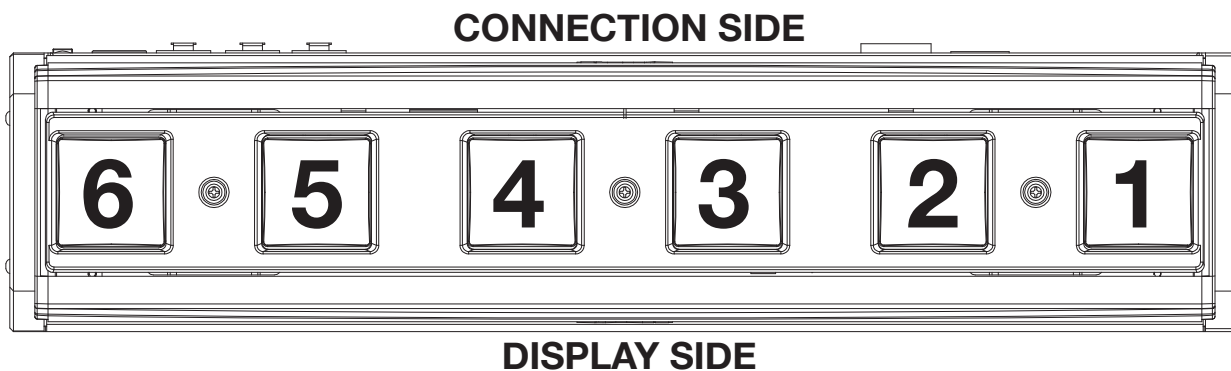
- **SOFTWARE VERSION** - Current software version is displayed.

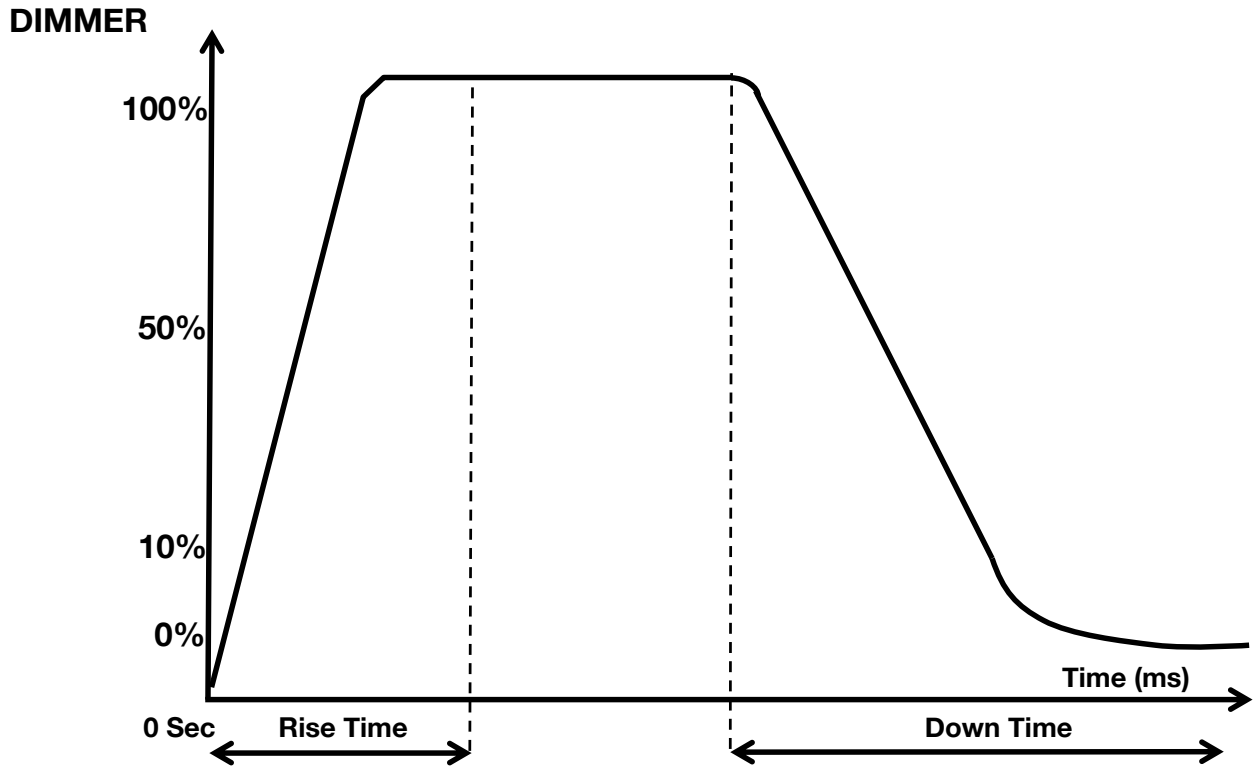
This fixture features pixel control in 37 Channel DMX Mode. See diagram below, which illustrates the specific pixel mapping order.

STANDARD

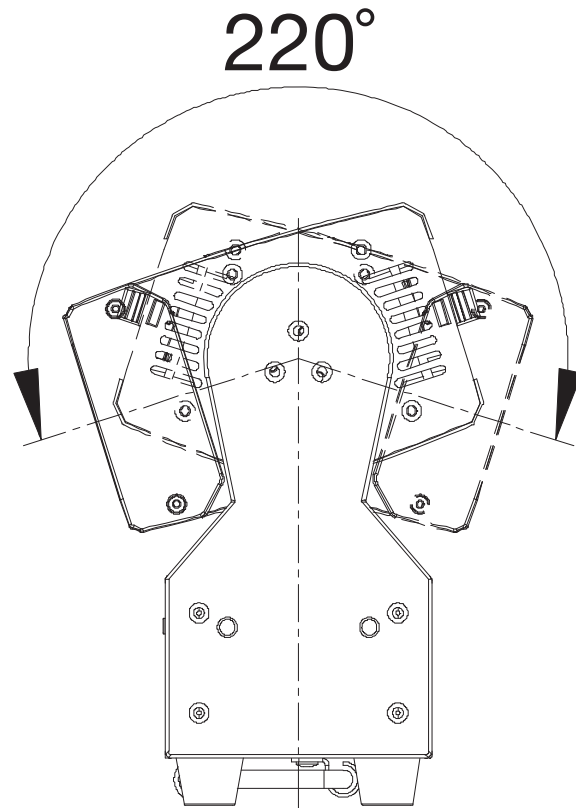
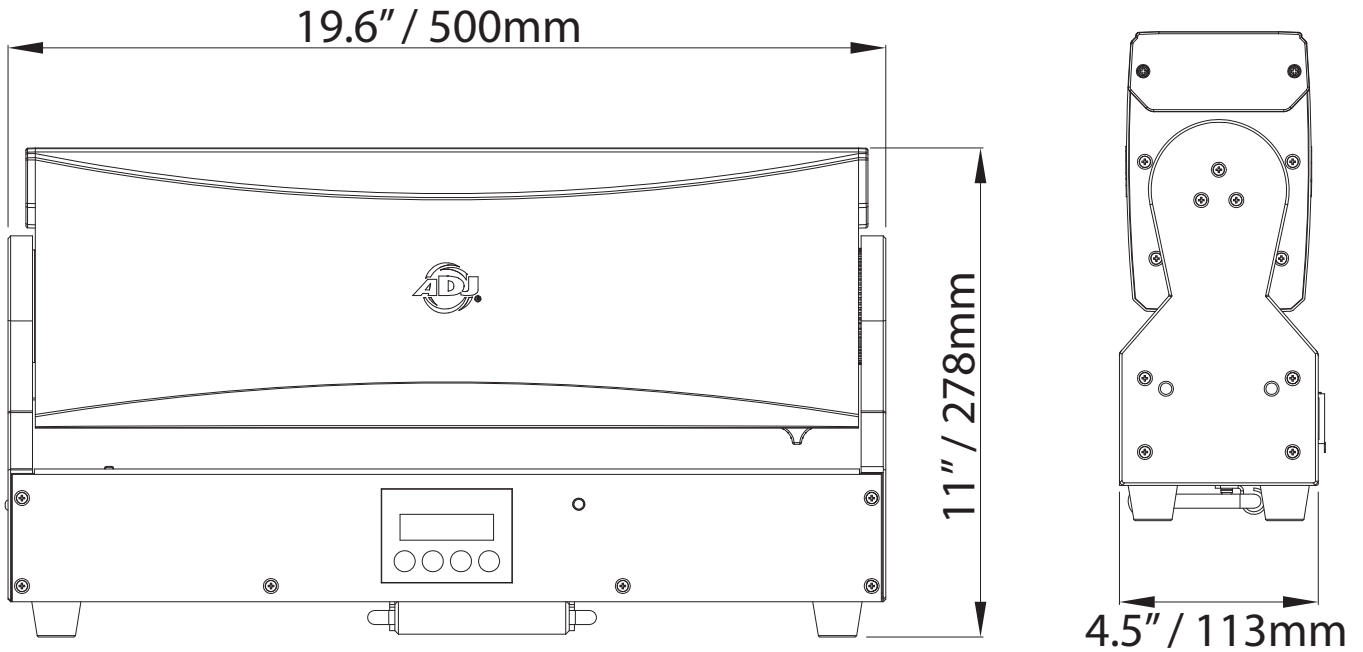


FLIP





Dimming Curve Ramp Effect	0 sec Fade Time		1 sec Fade Time	
	Rise Time (ms)	Down Time (ms)	Rise Time (ms)	Down Time (ms)
	0	255	0	255
Standard (default)	0	0	0	0
Stage	780	1100	1540	1660
TV	1180	1520	1860	1940
Architectural	1380	1730	2040	2120
Theatre	1580	1940	2230	2280
Stage 2	0	1100	0	1660



	Print error message	Description
1	CPU-B Error	CPU-B Error
2	CPU-C Error	CPU-C Error
3	CPU-D Error	CPU-D Error
4	Tilt Reset Error	Tilt :Reset Error
5	Tilt Encoder Error	Tilt : Encoder Error
6	Zoom Reset Error	Tilt :Reset Error
7	Fan1 Errors	Fan1 errors
8	Fan2 Errors	Fan2 errors
9	Fan3 Errors	Fan3 errors
10	Temperature Errors	Temperature Errors
11	Temp is too high	Temperature is too high

Unplug the unit from any power source it may be connected to. Once the power has been disconnected, use a phillips head screw driver to unscrew the fuse holder located on the bottom of the unit. Remove the bad fuse and replace with a new one, and screw the fuse holder back in.

With this feature you can connect the fixtures to one another using the power cable input and output sockets.

NOTE: USE CAUTION WHEN POWER LINKING OTHER FIXTURES AS THE POWER CONSUMPTION OF OTHER MODEL FIXTURES MAY EXCEED THE MAX POWER OUTPUT ON THIS FIXTURE! CHECK SILK SCREEN FOR MAX AMPS.

Listed below are a few common problems the user may encounter, with solutions.

Unit not responding to DMX:

1. Check that the DMX cables are connected properly and are wired correctly (pin 3 is “hot”; on some other DMX devices pin 2 may be ‘hot’). Also, check that all cables are connected to the right connectors; it does matter which way the inputs and outputs are connected.

Due to fog residue, smoke, and dust cleaning the internal and external optical lenses must be carried out periodically to optimize light output.

1. Use normal glass cleaner and a soft cloth to wipe down the outside casing.
 2. Clean the external optics with glass cleaner and a soft cloth every 20 days.
 3. Always be sure to dry all parts completely before plugging the unit back in.
- Cleaning frequency depends on the environment in which the fixture operates (i.e. smoke, fog residue, dust, dew).

MANUFACTURER'S LIMITED WARRANTY

- A. ADJ Products, LLC hereby warrants, to the original purchaser, ADJ Products, LLC products to be free of manufacturing defects in material and workmanship for a prescribed period from the date of purchase (see specific warranty period on reverse). This warranty shall be valid only if the product is purchased within the United States of America, including possessions and territories. It is the owner's responsibility to establish the date and place of purchase by acceptable evidence, at the time service is sought.
- B. For warranty service you must obtain a Return Authorization number (RA#) before sending back the product—please contact ADJ Products, LLC Service Department at 800-322-6337. Send the product only to the ADJ Products, LLC factory. All shipping charges must be pre-paid. If the requested repairs or service (including parts replacement) are within the terms of this warranty, ADJ Products, LLC will pay return shipping charges only to a designated point within the United States. If the entire instrument is sent, it must be shipped in its original package. No accessories should be shipped with the product. If any accessories are shipped with the product, ADJ Products, LLC shall have no liability whatsoever for loss of or damage to any such accessories, nor for the safe return thereof.
- C. This warranty is void if the serial number has been altered or removed; if the product is modified in any manner which ADJ Products, LLC concludes, after inspection, affects the reliability of the product; if the product has been repaired or serviced by anyone other than the ADJ Products, LLC factory unless prior written authorization was issued to purchaser by ADJ Products, LLC; if the product is damaged because not properly maintained as set forth in the instruction manual.
- D. This is not a service contract, and this warranty does not include maintenance, cleaning or periodic check up. During the period specified above, ADJ Products, LLC will replace defective parts at its expense with new or refurbished parts, and will absorb all expenses for warranty service and repair labor by reason of defects in material or workmanship. The sole responsibility of ADJ Products, LLC under this warranty shall be limited to the repair of the product, or replacement thereof, including parts, at the sole discretion of ADJ Products, LLC. All products covered by this warranty were manufactured after August 15, 2012, and bear identifying marks to that effect.
- E. ADJ Products, LLC reserves the right to make changes in design and/or improvements upon its products without any obligation to include these changes in any products theretofore manufactured.

No warranty, whether expressed or implied, is given or made with respect to any accessory supplied with products described above. Except to the extent prohibited by applicable law, all implied warranties made by ADJ Products, LLC in connection with this product, including warranties of merchantability or fitness, are limited in duration to the warranty period set forth above. And no warranties, whether expressed or implied, including warranties of merchantability or fitness, shall apply to this product after said period has expired. The consumer's and/or Dealer's sole remedy shall be such repair or replacement as is expressly provided above; and under no circumstances shall ADJ Products, LLC be liable for any loss or damage, direct or consequential, arising out of the use of, or inability to use, this product.

This warranty is the only written warranty applicable to ADJ Products, LLC Products and supersedes all prior warranties and written descriptions of warranty terms and conditions heretofore published.

MANUFACTURER'S LIMITED WARRANTY PERIODS:

- **Non L.E.D. Lighting Products = 1-year (365 days) Limited Warranty** (Such as: Special Effect Lighting, Intelligent Lighting, UV lighting, Strobes, Fog Machines, Bubble Machines, Mirror Balls, Par Cans, Trussing, Lighting Stands etc. excluding LED and lamps)
- **Laser Products = 1 Year (365 Days) Limited Warranty** (excluding laser diodes which have a 6 month limited warranty)
- **L.E.D. Products = 2-year (730 days) Limited Warranty** (excluding batteries which have a 180 day limited warranty). **Note: 2 Year Warranty only applies to purchases within the United States.**
- **StarTec Series = 1 Year Limited Warranty** (excluding batteries which have a 180 day limited warranty).
- **ADJ DMX Controllers = 2 Year (730 Days) Limited Warranty**

Model: Allegro Z6

Voltage:	100V ~ 240V/50~60Hz
LEDs:	6 x 30W QUAD (4-in-1) RGBW LED's
Working Position:	Any safe working position
Power Draw:	240W
Fuse:	5A
Dimensions:	19.6" (L) x 4.5" (W) x 11" (H) 500 x 113 x 278mm
Weight:	22lbs. / 10 kgs
Colors:	RGBW Color Mixing
DMX Channels:	2 DMX Modes: 17/37
Warranty:	2 Year (730 days)

Please Note: Specifications and improvements in the design of this unit and this manual are subject to change.