

Acoustic Design Series

Quick Start Guide



AD-C.SUB

AD-C.SAT

EXPLANATION OF SYMBOLS

The term "WARNING!" indicates instructions regarding personal safety. If the instructions are not followed the result may be bodily injury or death.

The term "CAUTION!" indicates instructions regarding possible damage to physical equipment. If these instructions are not followed, it may result in damage to the equipment that may not be covered under the warranty.

The term "IMPORTANT!" indicates instructions or information that are vital to the successful completion of the procedure.

The term "NOTE" is used to indicate additional useful information.



The intent of the lightning flash with arrowhead symbol in a triangle is to alert the user to the presence of un-insulated "dangerous" voltage within the product's enclosure that may be of sufficient magnitude to constitute a risk of electric shock to humans.



The intent of the exclamation point within a triangle is to alert the user to the presence of important safety, and operating and maintenance instructions in this manual.



IMPORTANT SAFETY INSTRUCTIONS



1. Read these instructions
2. Keep these instructions.
3. Heed all warnings.
4. Follow all instructions.
5. Clean only with a dry cloth.
6. Do not install near any heat sources such as radiators, heat registers, stoves, or other apparatus (including amplifiers) that produce heat.
7. Only use attachments/accessories specified by the manufacturer.
8. Refer all servicing to qualified service personnel. Servicing is required when the apparatus has been damaged in any way, such as power-supply cord or plug is damaged, liquid has been spilled or objects have fallen into the apparatus, the apparatus has been exposed to rain or moisture, does not operate normally, or has been dropped.
9. Do not use this apparatus in or near water or liquids.
10. Do not use any aerosol spray, cleaner, disinfectant or fumigant on, near or into the apparatus.
11. Adhere to all applicable, local codes.
12. Consult a licensed, professional engineer when any doubt or questions arise regarding a physical equipment installation.

Maintenance and Repair

Advance technology, e.g., the use of modern materials and powerful electronics, requires specially adapted maintenance and repair methods. To avoid a danger of subsequent damage to the apparatus, injuries to persons and/or the creation of additional safety hazards, all maintenance or repair work on the apparatus should be performed only by a QSC authorized service station or an authorized QSC International Distributor. QSC is not responsible for any injury, harm or related damages arising from any failure of the customer, owner or user of the apparatus to facilitate those repairs.

Warranty

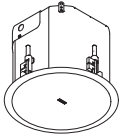

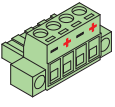


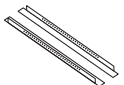

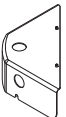

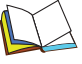
For a copy of the QSC Limited Warranty, visit the QSC website at www.qsc.com

TD-001556-01-A1



Install the AD-C.SUB Subwoofer

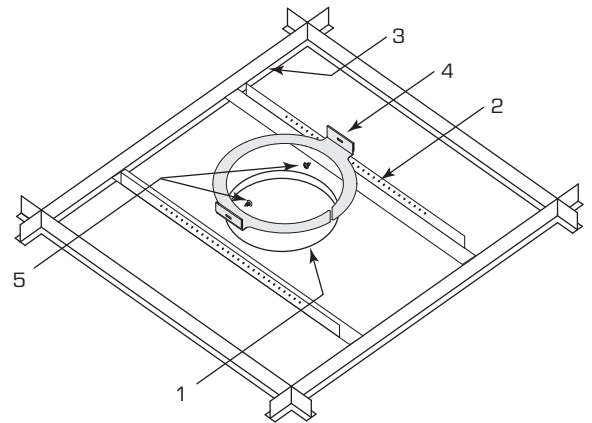
What's in the AD-C.SUB Box

 (1x) AD-C.SUB	 (1x) Grille	 (3x) Euro-style plug (4-pole)	 (1x) C-Ring	 (2x) Tile Rail Screws (sheet metal)
 (2x) Tile Rails	 (1x) Cutout Template	 (1x) Terminal Cover	 (1x) Warranty TD-000453	 (1x) Quick Start Guide TD-001556

Prepare Ceiling

Refer to Figure 1.

1. Use the supplied Cut-Out template to cut a 12 inch (305 mm) diameter hole (1) in the ceiling where the loudspeaker is to be installed. For frame-construction ceiling, skip to "Wire the Loudspeakers".
2. Install two V-rails (2), one on each side of the hole, and supported by the suspended-ceiling support rails (3).
3. Install the C-ring (4) over the hole, using the V-rails as support. Make sure the clips on the C-ring are properly fitted over the V-rail.
4. Use sheet-metal screws (5) to secure the C-ring to the V-rails.



— Figure 1 —

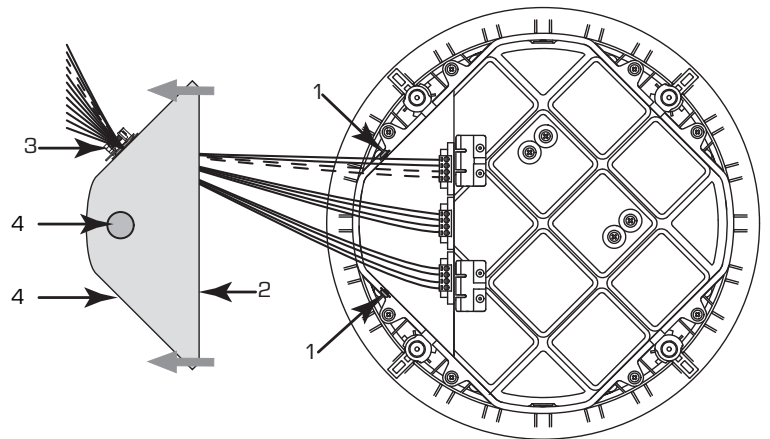
Wire the Subwoofer

Refer to Figure 2.

1. Loosen the two screws (1) holding the wire-terminal cover (2) to the body of the loudspeaker enclosure.
2. Pull the cover (2) up slightly in front, then pull away from the enclosure.
3. Pass the wires through the conduit/stress-relief clamp (3). Leave enough wire for making connections. Carefully tighten the clamp (3) over the wires, or over the conduit if it is used.

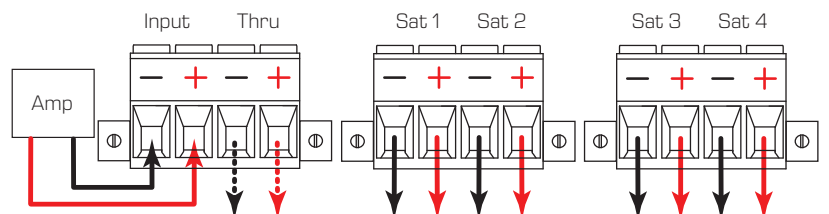


NOTE: The wire-terminal cover has two additional openings (4) that you can use if the factory-selected opening causes conflict between the wiring and the structure.



— Figure 2 —

4. Wire the female Euro-style plugs as shown in Figure 3.
5. The Euro-style plugs are factory installed. If you remove the connectors, make sure to re-tighten the screws to secure the connections.
6. Slide the cover (2) over the connector and under the two clips, then tighten the two Phillips screws.



— Figure 3 —

Mount the Subwoofer

Refer to Figure 5.

1. Use a small flat-tip screwdriver, or similar tool, to carefully pry the grille off the loudspeaker housing giving you access to the dog-ear screws. The grille is held on by magnets.
2. Make sure all four of the dog ears are turned in, up against the side of the metal loudspeaker housing. Figure 5 (1) shows turned in, (2) shows the dog ear not turned in.



NOTE: The dog ears can be turned in at two places only. One accommodates up to 2-inch thick ceiling material, the other accommodates 1.25-inch thick material. See Figure 4. Use the one most suitable to your installation.

3. Slide the Loudspeaker Housing up through the hole into the ceiling. Make sure that the wiring does not get pinched or caught on anything.
4. Use a Phillips screwdriver to tighten all four of the dog-ear screws. As you tighten the screws, the dog ears swing away from the housing and over the ceiling material. Before the dog ears are completely tightened, make sure all dog ears are properly positioned over the ceiling material.



CAUTION!: Do not overtighten the dog-ear screws!

Seismic Safety



WARNING!: Be sure to check and adhere to local building codes for seismic requirements. If in doubt, consult an appropriate engineer. Regardless of local building codes, QSC recommends that you use the appropriate safety tethers for the installation.

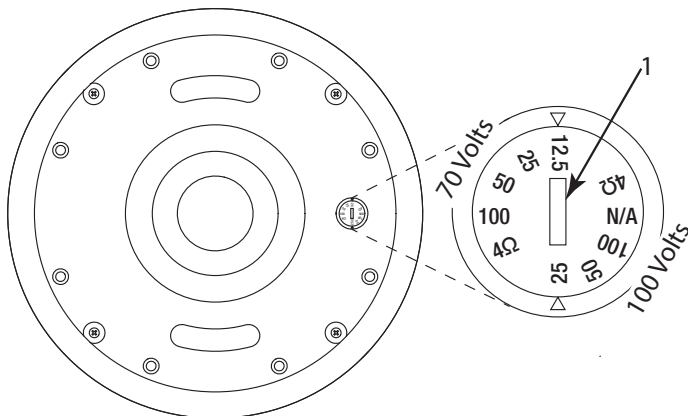
Refer to Figure 6.

1. Attach appropriate safety tethers (1) to the tether tabs (2), on the back of the loudspeaker enclosure, and to an appropriate part of the building's structure.

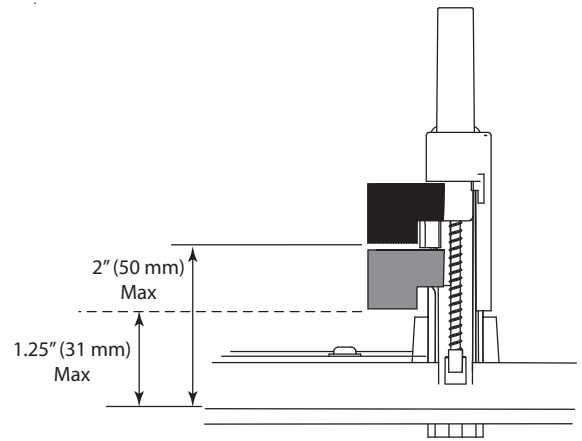
Set the Operating Mode

Refer to Figure 7

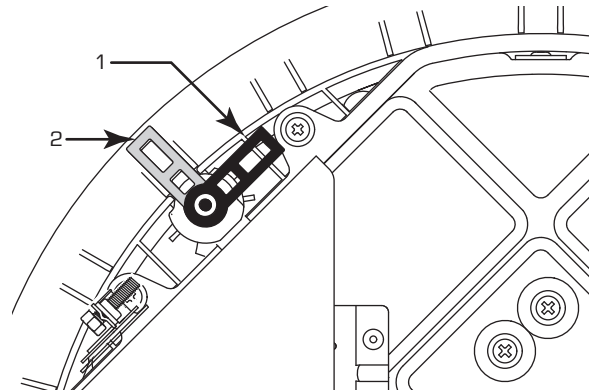
1. Use a small coin, or similar tool, to set the transformer tap (1) based on the requirements of the installation.
2. Install the loudspeaker grill / tether.



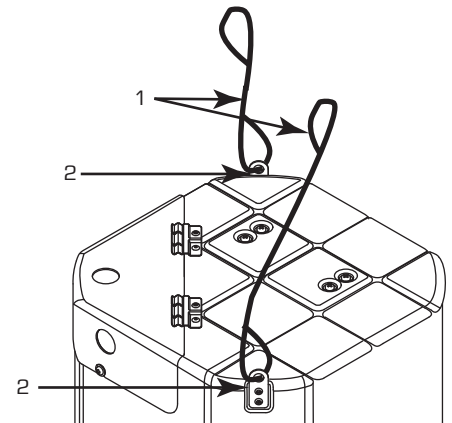
— Figure 7 —



— Figure 4 —



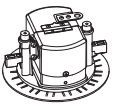

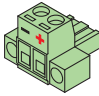





— Figure 5 —



— Figure 6 —

AD-C.SAT Installation

What's in the AD-C.SAT Box

	(2x) AD-C.SAT		(2x) Grille		(2x) Euro-style plug (2-pole)		(2x) C-Ring
	(2x) Cut-out Template		(2x) Terminal Cover		(1x) Warranty TD-000453		(1x) Quick Start Guide TD-001556

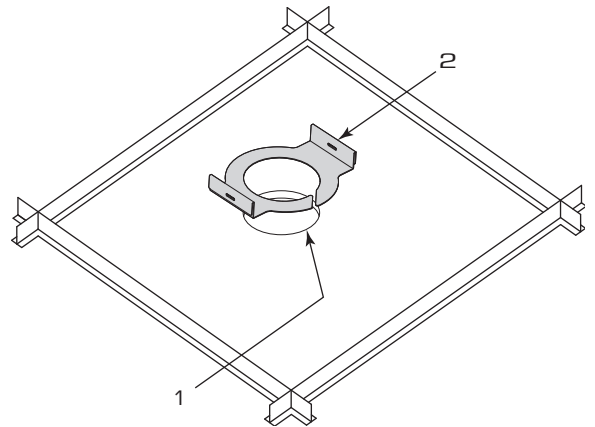
Prepare Ceiling

Refer to Figure 8.

1. Use the supplied Cut-out Template to cut a 4.4 inch (112 mm) diameter hole in the ceiling where the loudspeaker is to be installed.
2. Install the C-ring (2) over the hole.



IMPORTANT! Parts for the optional steps are purchased separately. Be sure to check local building codes for requirements.

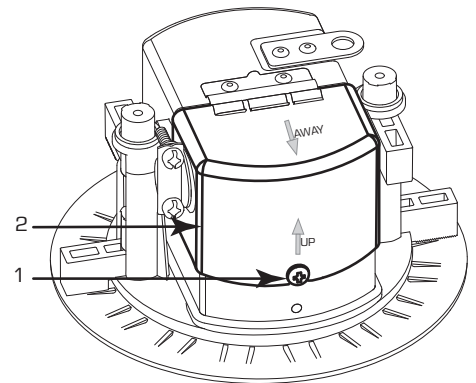


— Figure 8 —

Wire the Loudspeakers

Refer to Figure 9.

1. Loosen the screw (1) holding the Terminal Cover (2) to the body of the loudspeaker enclosure.
2. Pull the Terminal Cover over (2) up slightly in front, then pull away from the enclosure.



— Figure 9 —

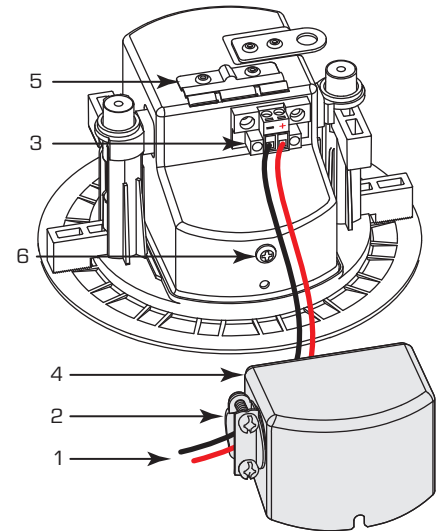
Refer to Figure 10 and Figure 11

3. Pass the wires (1) through the conduit/stress-relief clamp (2).
4. Connect the wires (1) to the female Euro-style plug (3), as shown in Figure 10 and Figure 11. Be sure to observe polarity.
5. Leave enough wire for making connections. Carefully tighten the clamp (2) over the wires (1), or over the conduit if it is used.

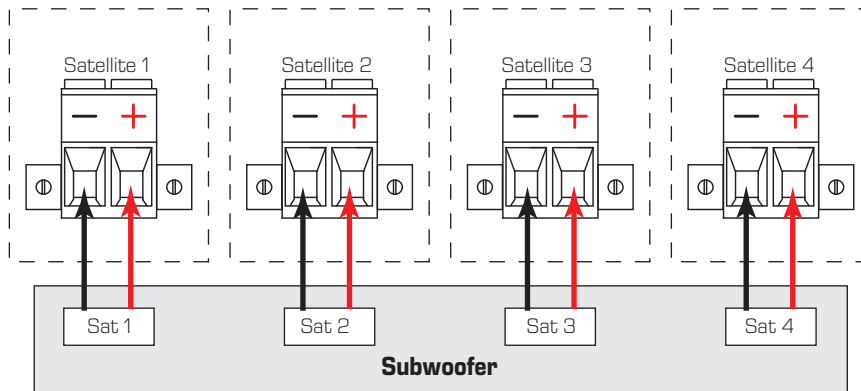


NOTE: The Euro-style plugs are factory installed. If you remove the connectors, make sure to re-tighten the screws to secure the connections.

6. Slide the cover (4) over the connector and under the clip (5), then tighten the Phillips screw (6).



— Figure 10 —



— Figure 11 —

Mount the Loudspeakers

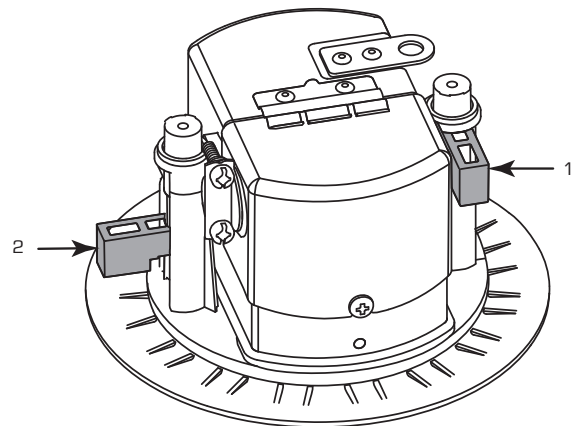
1. Use a small flat-tip screwdriver (or similar) to pry up one edge of the grille. Remove the grille.



TIP: The satellite grille is held on by three magnets. Press down along the edge of the grille between two magnets to make the other side of the grille pop up. You may have to move around the edge of the grille to find a spot between magnets.

Refer to Figure 12.

2. Make sure both dog ears are turned in, up against the side of the loudspeaker housing. Figure 12 (1) shows turned in, (2) shows the dog ears not turned in. Use a Phillips screwdriver to adjust the dog ears to the turned-in position. The Phillips screws are under the grille and aligned with the dog ears.



— Figure 12 —



NOTE: The dog ears can be turned in when they are at the top of their range only.

3. Slide the loudspeaker housing up through the hole into the ceiling. Make sure that the wiring does not get pinched or caught on anything.
4. Use a Phillips screwdriver to tighten both dog-ear screws. As you tighten the screws, the dog ears swing away from the housing and over the ceiling material. Before the dog ears are completely tightened, make sure they are properly positioned over the ceiling material.



CAUTION! Do not overtighten the dog-ear screws!



Mailing Address:

QSC, LLC

1675 MacArthur Boulevard

Costa Mesa, CA 92626-1468 USA

Main Telephone Number: +1.714.754.6175

Sales & Marketing

Telephone: +1.714.957.7100

Toll Free (USA only): 1.800.854.4079

FAX: +1.714.754.6174

Customer Service

Telephone: +1.714.957.7150

Toll free (USA only): 1.800.772.2834

FAX: +1.714.754.6173

E-Mail: service@qsc.com

tech_support@qsc.com

World Wide Web:

www.qsc.com

© 2018 QSC, LLC. All rights reserved. QSC and the QSC logo are registered trademarks of QSC, LLC in the U.S. Patent and Trademark office and other countries. All other trademarks are the property of their respective owners.

<http://patents.qsc.com>.